

- 双轴倾角传感器
- 量程： $\pm 5^\circ \sim \pm 45^\circ$
- 电压或电流输出



产品说明

AngleStar®电子式角度测量装置是将AngleStar®电子倾角传感器和数字显示器组合在一起，叫作为角度测量的独立装置。只需9伏电池供电，可使用外接直流电源。其电缆长达四英尺。（可提供最长200英尺的电缆。有关详细信息，请向厂方咨询。）传感器和显示器的距离可达200英尺。有三种规格可供选择，量程 $\pm 20^\circ$ ，分辨率0.01度；量程 $\pm 45^\circ$ 或 90° ，分辨率0.1度。

特点

- 三部件系统，传感器、LCD显示器和电缆
- 远程传感——显示器与传感器可相距200英尺
- 量程： $\pm 20^\circ$ 、 $\pm 45^\circ$ 和 $\pm 90^\circ$ 。

应用

- 平台水准测量
- 天线定位
- 采矿设备
- 机加工

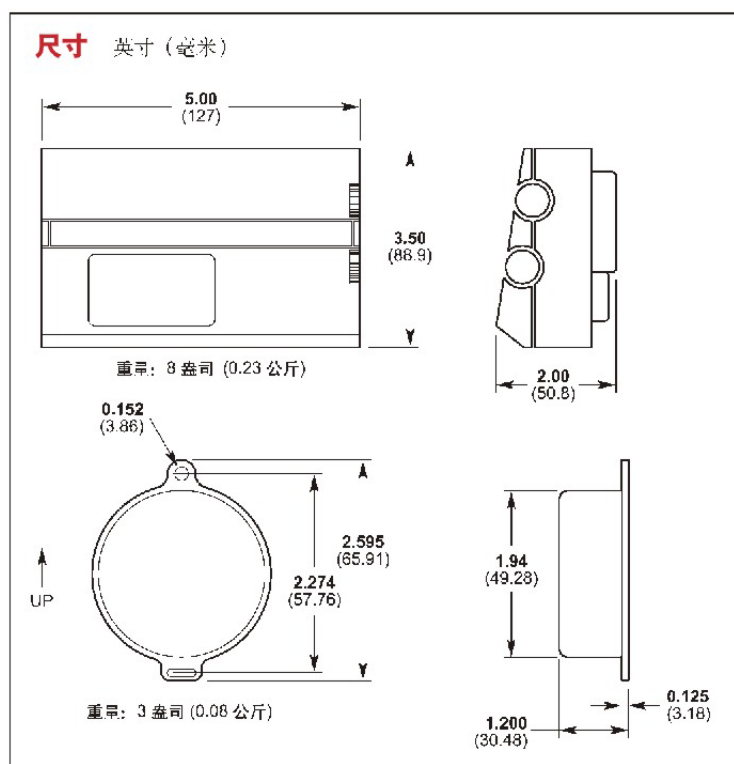
电气性能

电源	9V电池
电池寿命(大约)	1000小时
温度范围	-18 ~ 55
连接电缆	
四导体，AWG26，PVC护套	
标准长度	4英尺(1.2米)
最大长度	200英尺(61.5米)

电气性能

		单位
线性范围	$\pm 45^\circ$	$^\circ$
分辨率	0.1°	$^\circ$
高分辨率型(P/N 02160003-000)		$^\circ$
线性范围	$\pm 19.99^\circ$	$^\circ$
阈值与分辨率	0.01°	$^\circ$
90度型(P/N 02160005-000)		V
线性范围	$0^\circ \sim 90^\circ$	mA
阈值与分辨率	0.1°	mA
线性度		VDC
$0^\circ \sim 10^\circ$	0.1°	
$10^\circ \sim 45^\circ$	$\pm 1\%$ 满量程	
零位可重复性	$\pm 0.1^\circ$	g
灵敏轴误差	$<1\%$ 45° 以下	mm
时间常数	0.3秒	
频响	0.5Hz	

产品尺寸



产品选型

产品编号	量程
02160001-000	$\pm 45^\circ$
02160003-000	$\pm 20^\circ$
02160005-000	$0^\circ \sim 90^\circ$

联系方式

中国	北美	欧洲
北京赛斯维测控技术有限公司 北京市朝阳区望京西路48号 金隅国际C座1002 电话：+86 010 8477 5646 传真：+86 010 5894 9029 邮箱： sales@sensorway.cn	Measurement Specialties Inc. 1000 Lucas Way Hampton, VA 23666 Tel: 1-757-766-1500 Fax: 1-757-766-4297 Sales: sales.hampton@meas-spec.com	MEAS Europe 105 av. Du General Eisenhower BP 23705,31037 Toulouse, Cedex 1, France Tel: +33 561-194-824 Fax: +33 561-194-553 Sales: humidity.cs@meas-spec.com

The information in this sheet has been carefully reviewed and is believed to be accurate; however, no responsibility is assumed for inaccuracies. Furthermore, this information does not convey to the purchaser of such devices any license under the patent rights to the manufacturer. Measurement Specialties, Inc. reserves the right to make changes without further notice to any product herein. Measurement Specialties, Inc. makes no warranty, representation or guarantee regarding the suitability of its product for any particular purpose, nor does Measurement Specialties, Inc. assume any liability arising out of the application or use of any product or circuit and specifically disclaims any and all liability, including without limitation consequential or incidental damages. Typical parameters can and do vary in different applications. All operating parameters must be validated for each customer application by customer's technical experts. Measurement Specialties, Inc. does not convey any license under its patent rights nor the rights of others.